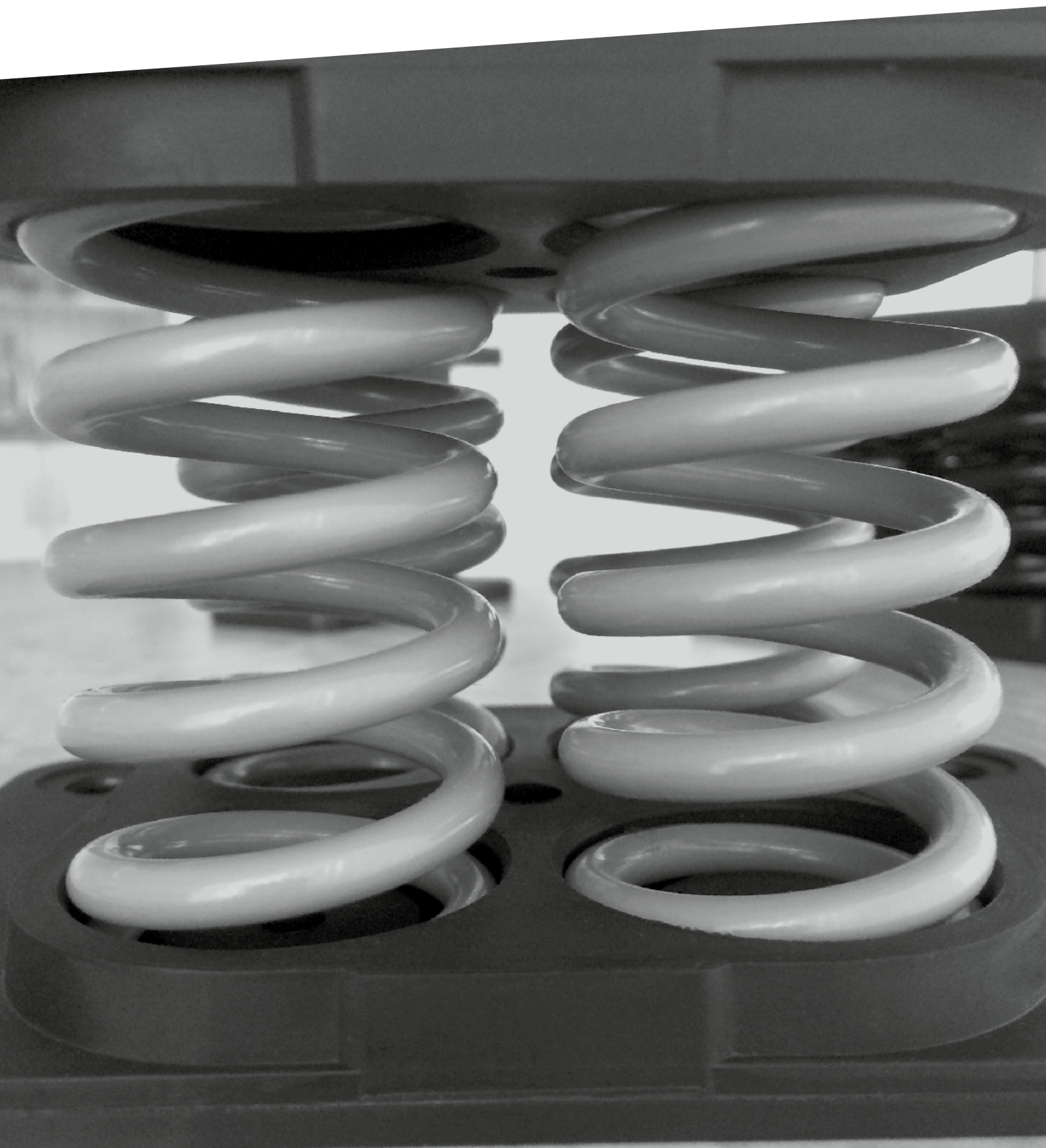


SPRING ELEMENTS OPEN TYPE



SPRING ELEMENTS, OPEN DESIGN – FOR LOADS UP TO 17KN

For more than 100 years, GERB is designing and manufacturing vibration control systems for all types of machinery, equipment and buildings.

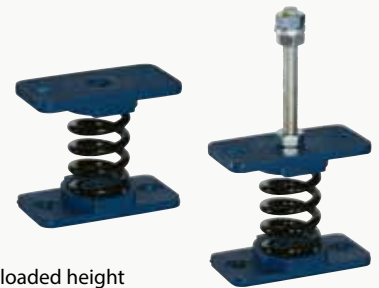
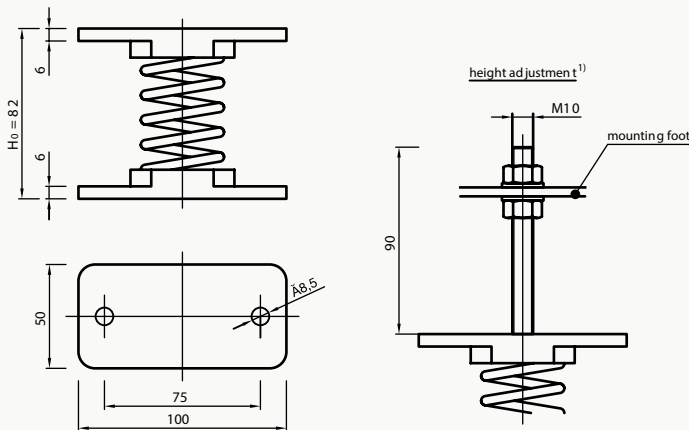
For HVAC building equipment (heating, ventilation, air conditioning, refrigeration) normally smaller size spring elements are used for vibration and noise control.

These GERB standard type spring elements are designed for loads of 150 to 17,000 N (15 to 1,700 kg). The top and

base steel plates of these elements are coated with oil-resistant rubber providing safe fixing without bolting for most applications. If required, the spring elements can be supplied with damping and/or height adjustment.

For elastic horizontal fixing and elastic suspension horizontal support elements and spring hangers are available.

Spring Elements F1



H₀ = unloaded height

Type	load [N]		vertical spring rate ²⁾ [N/mm]
	from	to	
F1-10	170	320	14
F1-20	260	480	21
F1-30	380	710	31
F1-40	640	1190	52
F1-50	1040	1930	84
F1-60	1680	2770 ³⁾	136

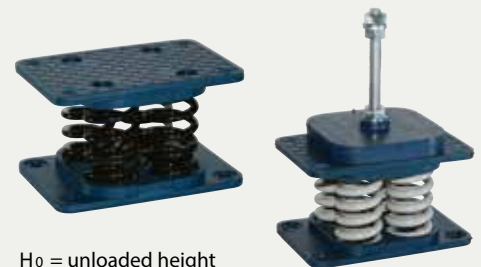
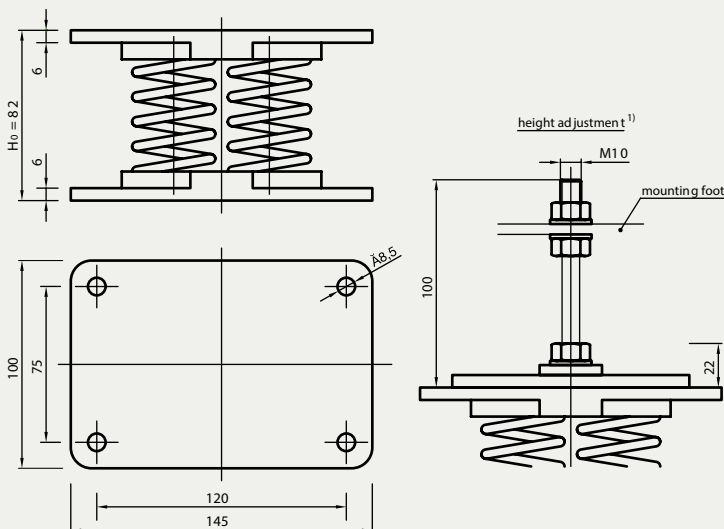
Comments:

¹⁾ accessories, have to be ordered separately

²⁾ calculated acc. to DIN EN 13906-1

³⁾ load at 3,5 Hz

Spring Elements F4



H₀ = unloaded height

Type	load [N]		vertical spring rate ²⁾ [N/mm]
	from	to	
F4-10	690	1280	56
F4-20	1040	1930	84
F4-30	1530	2840	124
F4-40	2560	4770	208
F4-50	4150	7710	336
F4-60	6720	11100 ³⁾	544

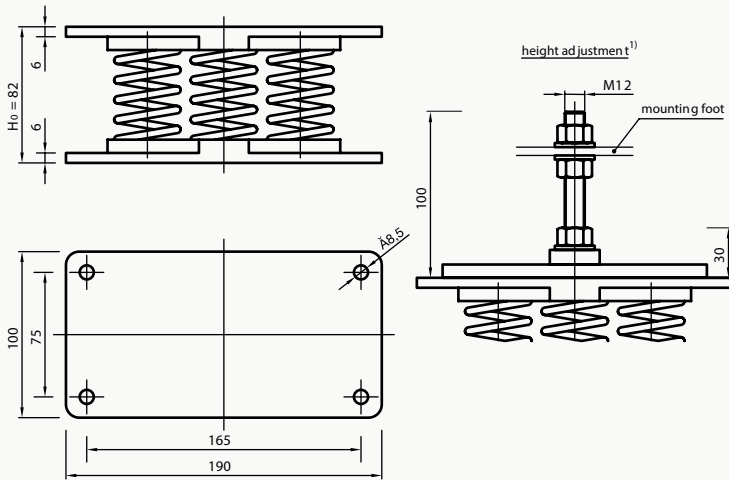
Comments:

¹⁾ accessories, have to be ordered separately

²⁾ calculated acc. to DIN EN 13906-1

³⁾ load at 3,5 Hz

Spring Elements F6



H₀ = unloaded height

Type	load [N]		vertical spring rate ²⁾ [N/mm]
	from	to	
F6-10	1040	1920	84
F6-20	1560	2890	126
F6-30	2290	4260	186
F6-40	3850	7160	312
F6-50	6220	11570	504
F6-60	10080	16650 ³⁾	816

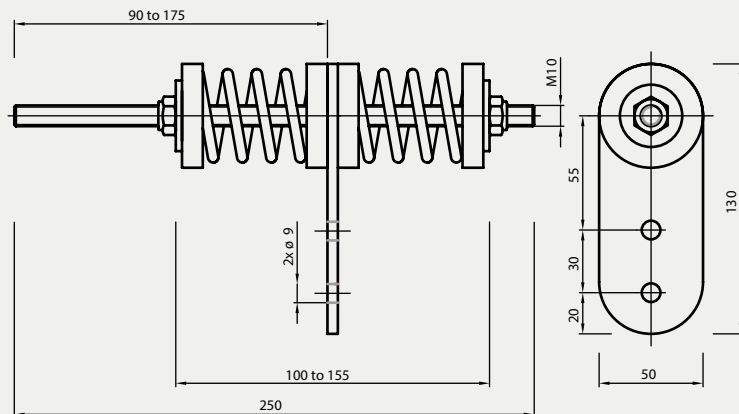
Comments:

¹⁾ accessories, have to be ordered separately

²⁾ calculated acc. to DIN EN 13906-1

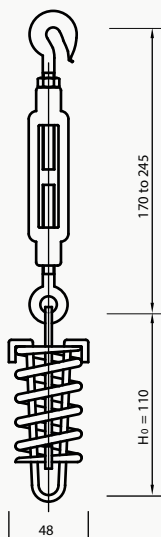
³⁾ load at 3,5 Hz

Horizontal Elastic Support Elements HA



Type	load [N]	
	from	to
HA-10	340	640
HA-20	520	960
HA-30	760	1420

Spring Hanger FH



H₀ = unloaded height

Type	load [N]		vertical spring rate ²⁾ [N/mm]
	from	to	
FH-10	170	320	14
FH-20	260	480	21
FH-30	380	710	31
FH-40	640	1190	52
FH-50	1040	1930	84
FH-60	1680	2770 ¹⁾	136

Comments:

¹⁾ load at 3,5 Hz

²⁾ calculated acc. to DIN EN 13906-1



Selection of Spring Elements

We would appreciate to select suitable spring elements for you. Please send us technical details of your machinery and/or equipment to be isolated:

- » Type and model of machine / equipment
- » Outer dimensions or general arrangement drawing
- » Total weight and weight distribution (if available)
- » Normal speed or number of strokes (if applicable)

Based on your information we will provide our proposal for vibration isolation, of course free of charge.

GERB Schwingungsisolierungen GmbH & Co. KG

Roedernallee 174 – 176 Ruhrallee 311
13407 Berlin, Germany 45136 Essen, Germany
+49 30 4191-0 +49 201 26604-0
info@gerb.com info@gerb.com
GERB.COM

©GERB Schwingungsisolierungen GmbH & Co. KG | All rights reserved.
Certified to: ISO 9001 ISO 14001 DIN EN 1090 BS OHSAS 18001

**VIBRATIONS CAN BE CONTROLLED
– WHEREVER THEY OCCUR**